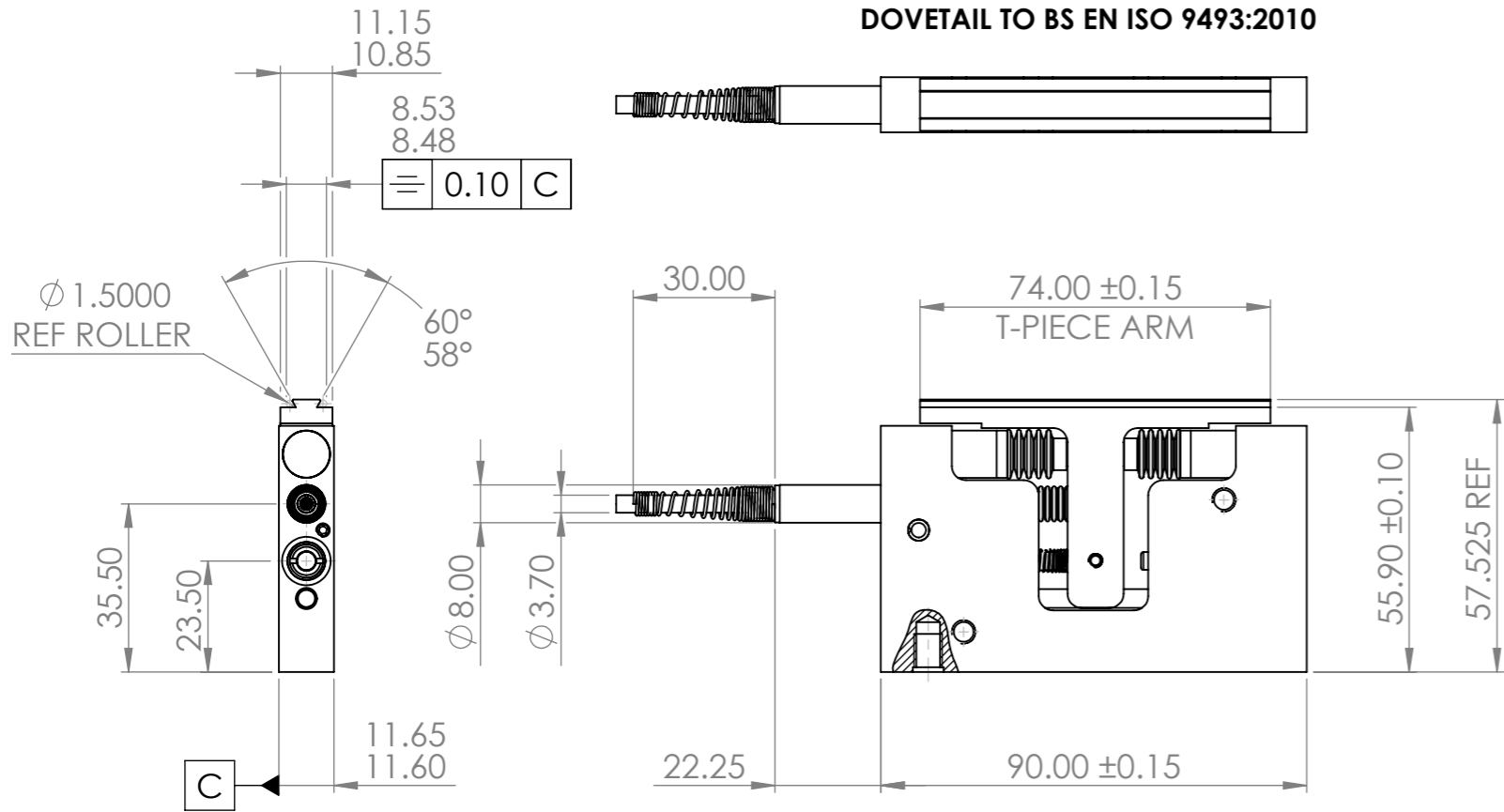
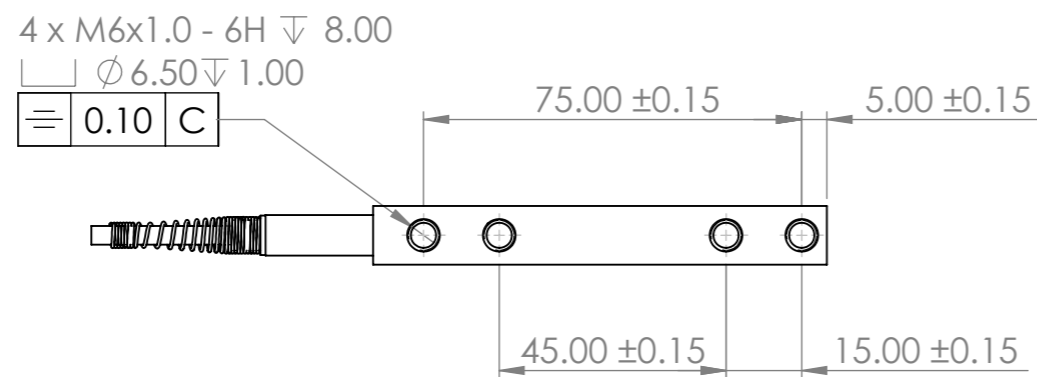
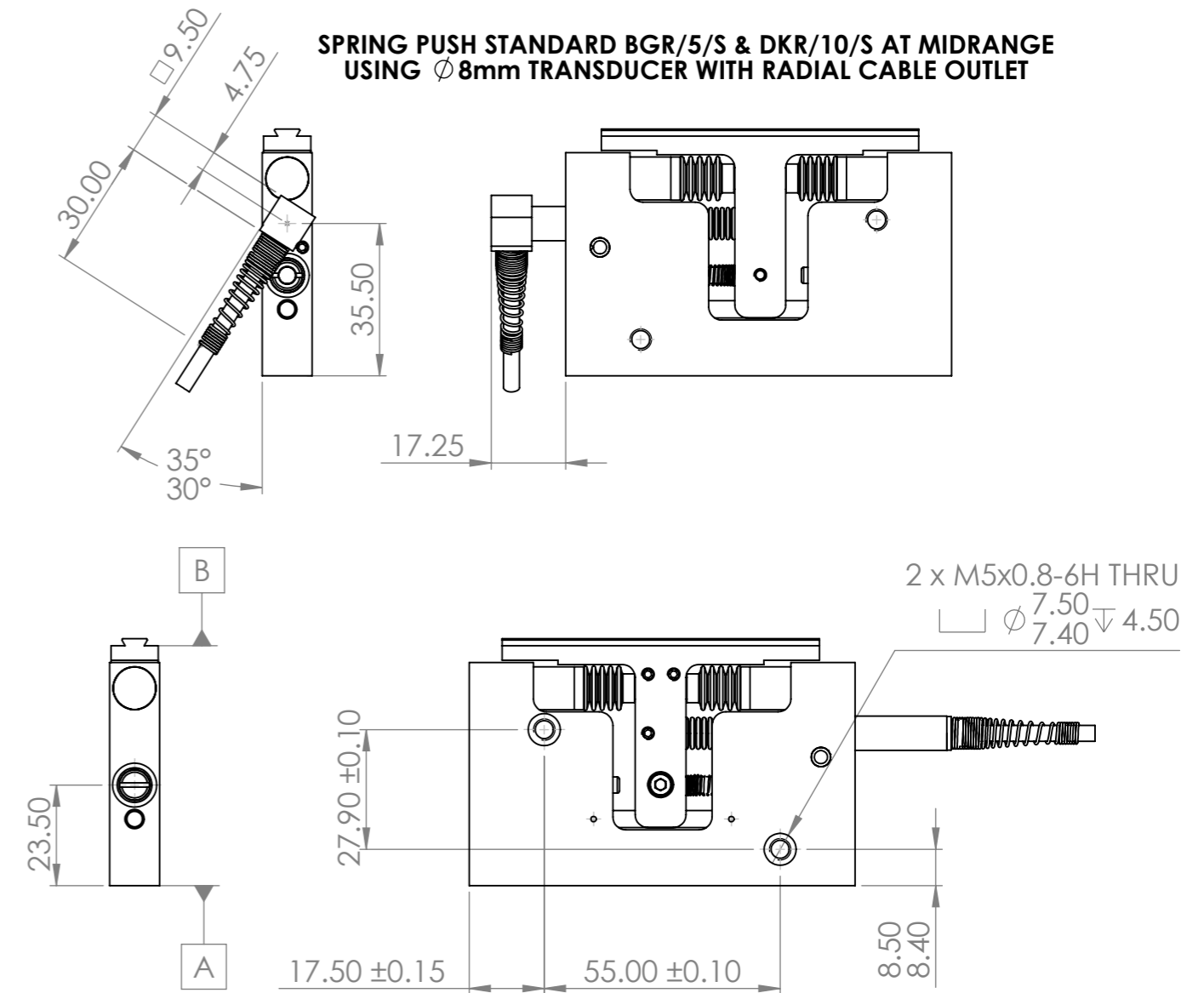


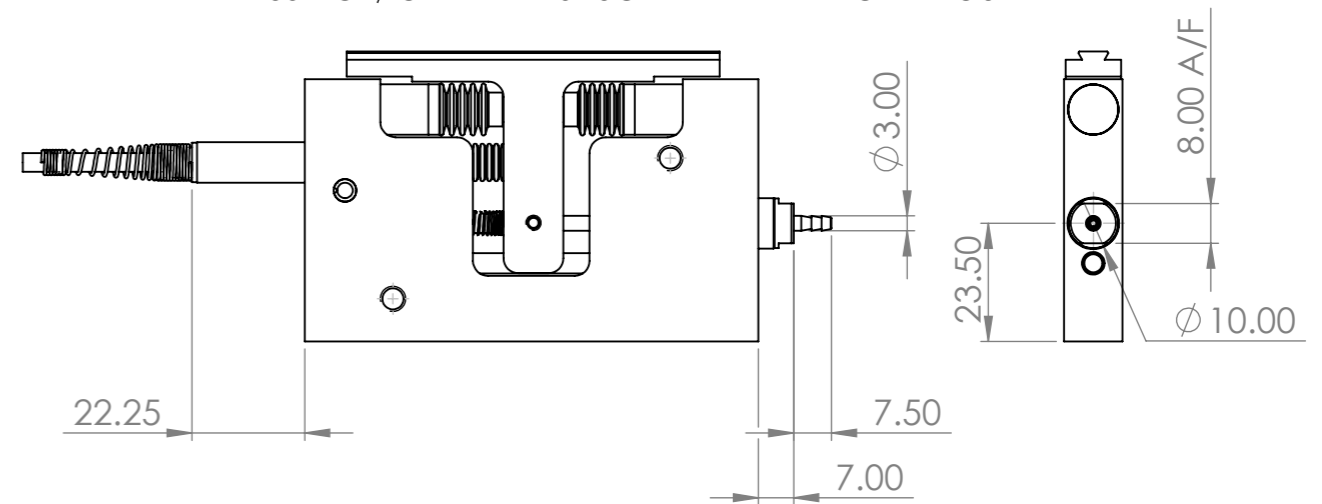
**SPRING PUSH STANDARD BG/5/S & DK/10/S AT MIDRANGE
USING \varnothing 8mm TRANSDUCER WITH AXIAL CABLE OUTLET**



**SPRING PUSH STANDARD BGR/5/S & DKR/10/S AT MIDRANGE
USING \varnothing 8mm TRANSDUCER WITH RADIAL CABLE OUTLET**



**SPRING PUSH STANDARD BG/5/P & DK/10/P AT MIDRANGE
USING \varnothing 8mm TRANSDUCER WITH AXIAL CABLE OUTLET**



STEYNING WAY • BOGNOR REGIS • SUSSEX • ENGLAND • PO22 9ST

DRAWING NUMBER

540002-081

TITLE

**BLOCK GAUGE
BG/5 & DK/10**

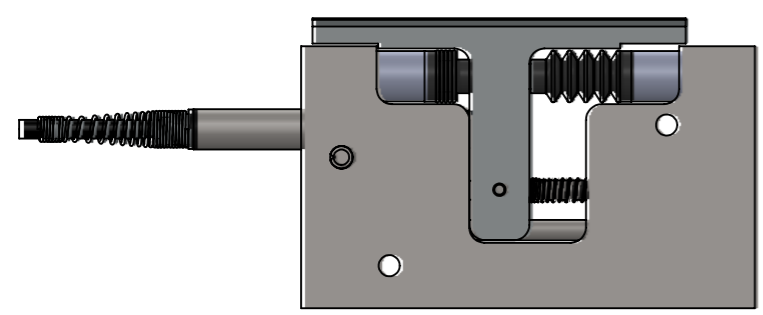
E.D.C.R.

22692

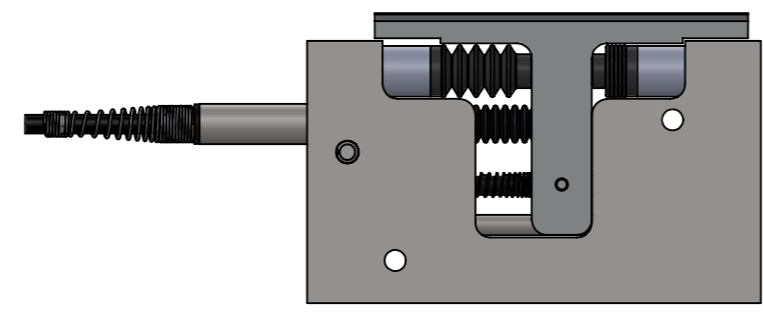
ISSUE

6

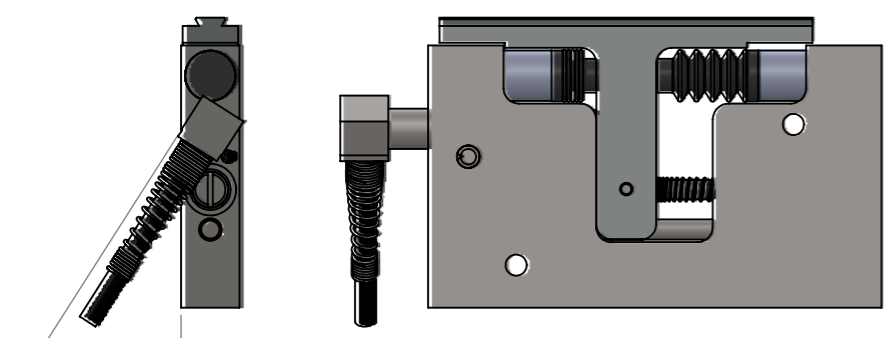
- NOTES:-
1. ALL BLOCK GAGE PRODUCTS ARE SHOWN IN THE REST POSITION.
 2. FOR ALL PRODUCTS WITH RIGHT ANGLE CABLE OUTLET AND MANUFACTURER FITTED PNEUMATIC CYLINDER, TRANSDUCER LEAD OUT ANGLE IS 30°-35°, EXCEPT REVERSED BLOCK GAUGES.
 3. FOR ALL PRODUCTS WITH RIGHT ANGLE CABLE OUTLET AND RETROFIT PNEUMATIC CYLINDERS, BOTH SIDE ACCESS, OR FROM TRANSDUCER SIDE ONLY, TRANSDUCER LEAD OUT ANGLE IS 45°-50°.



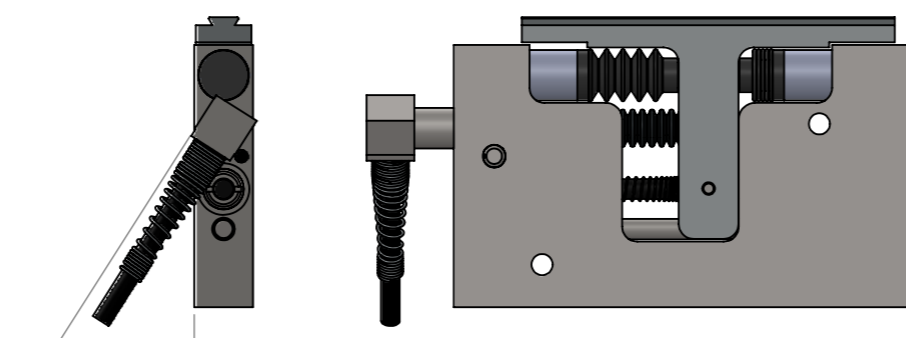
**BG/5/R(H) OR DK/10/R
REVERSED ACTION**



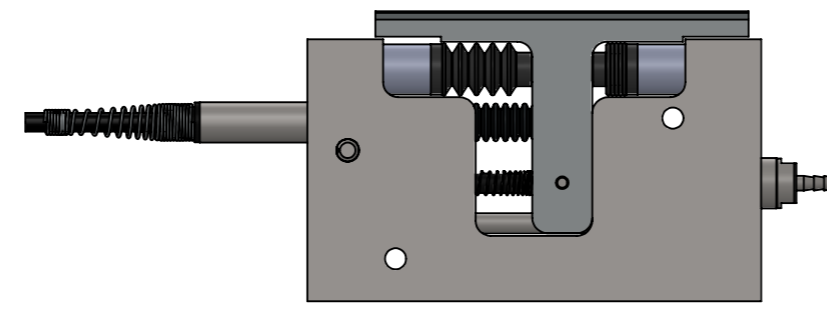
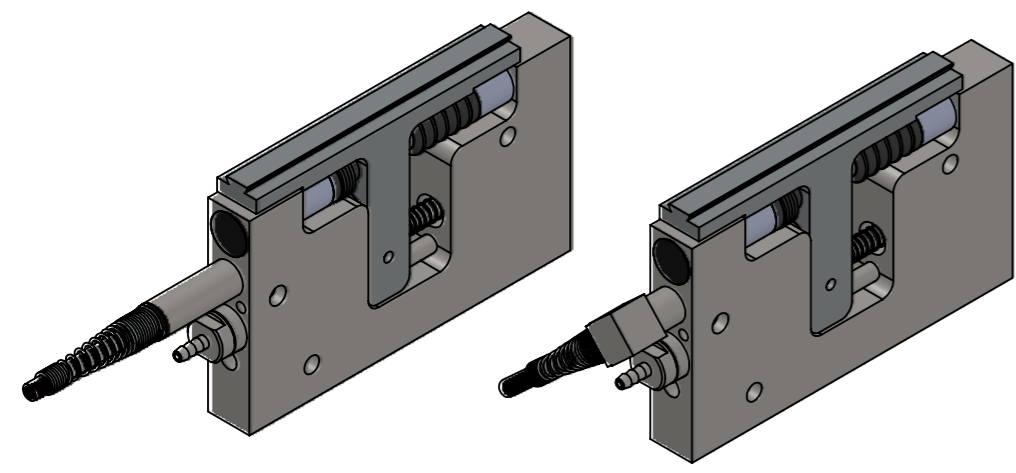
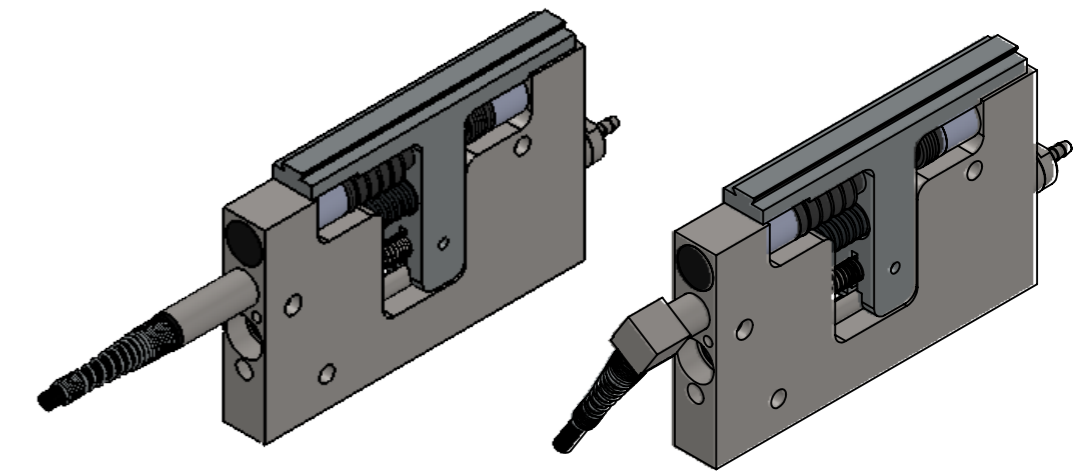
**BG/5/S(H) OR DK/10/S
STANDARD**



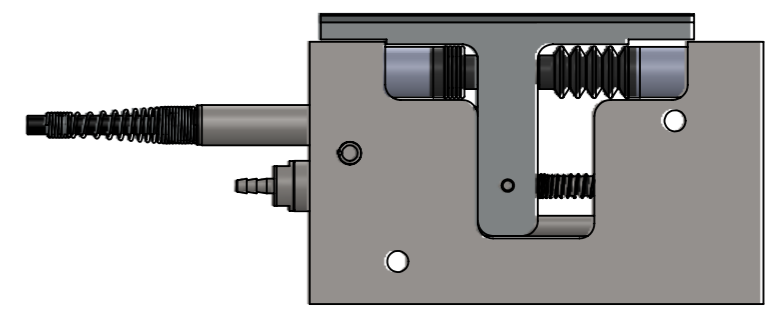
**BGR/5/R(H) OR DKR/10/R
REVERSED ACTION**



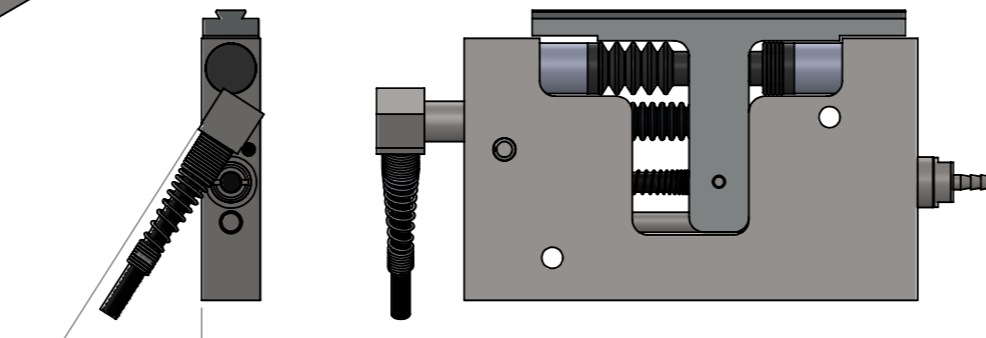
**BGR/5/S(H) OR DKR/10/S
STANDARD**



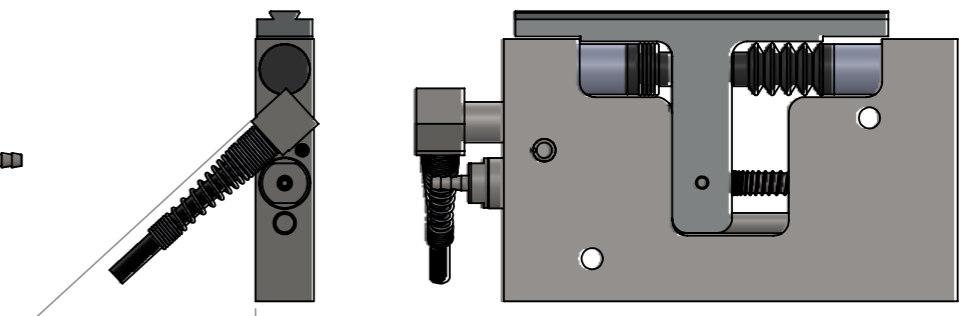
**BG/5/P(H) OR DK/10/P
STANDARD**



**BG/5/RP(H) OR DK/10/RP
REVERSED ACTION**



**BGR/5/P(H) OR DKR/10/P
STANDARD**



**BGR/5/R(H) OR DKR/10/RP
REVERSED ACTION**



STEYNING WAY • BOGNOR REGIS • SUSSEX • ENGLAND • PO22 9ST

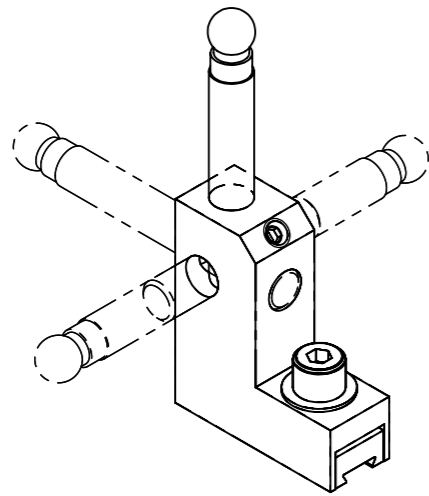
DRAWING NUMBER
540002-081

TITLE
**BLOCK GAUGE
BG/5 & DK/10**

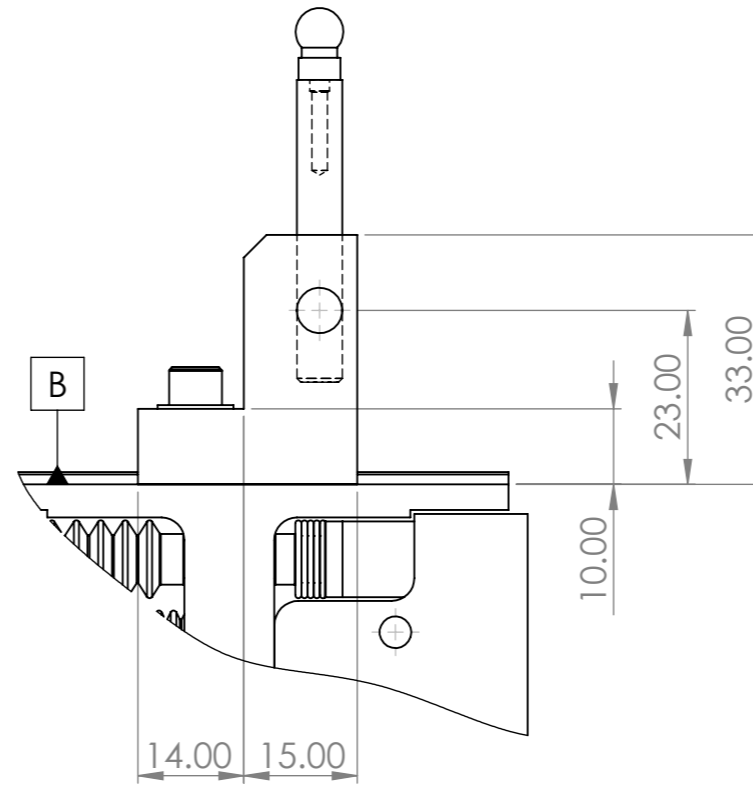
E.D.C.R.
ISSUE

22692
6

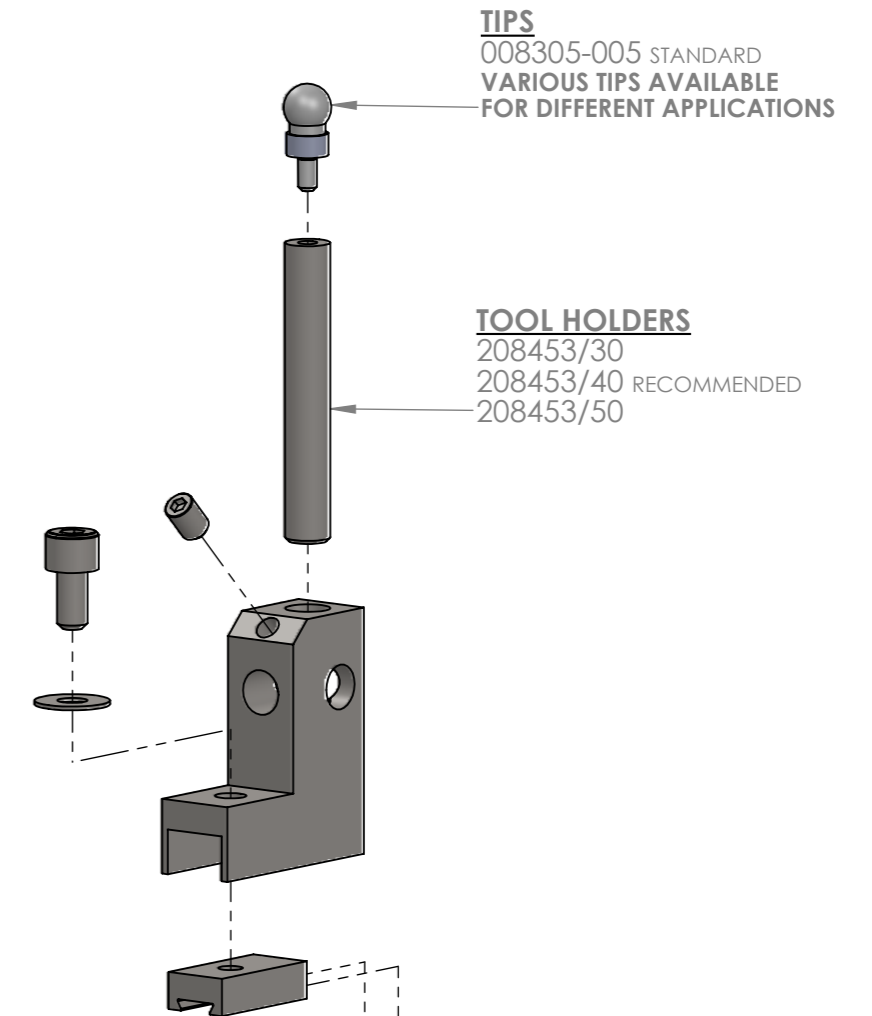
SOLARTRON PURSUES A POLICY OF CONTINUOUS DEVELOPMENT. SPECIFICATIONS IN THIS DOCUMENT MAY THEREFORE BE CHANGED WITHOUT NOTICE. DIMENSIONS ARE NOMINAL AND SPECIFIED IN MILLIMETRES



804798-SX TOOL HOLDER ASSY BG/5 & DK/10 - ϕ 6mm - DOVETAIL
DOVETAIL TO BS EN ISO 9493:2010
TIP & TOOL HOLDER SHOWN FOR ALTERNATIVE POSITION ONLY

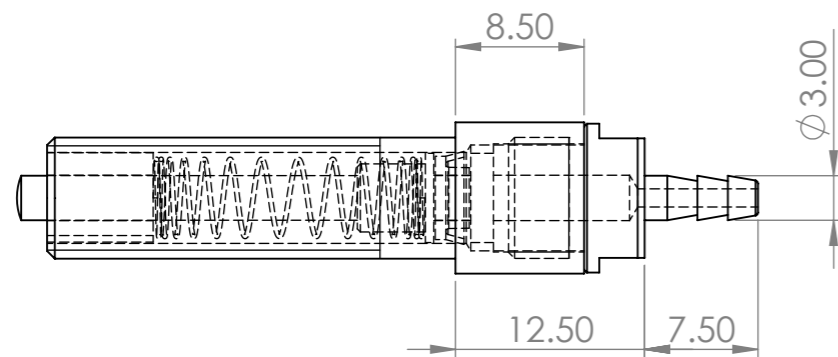


TOOL HOLDER -ASSEMBLED

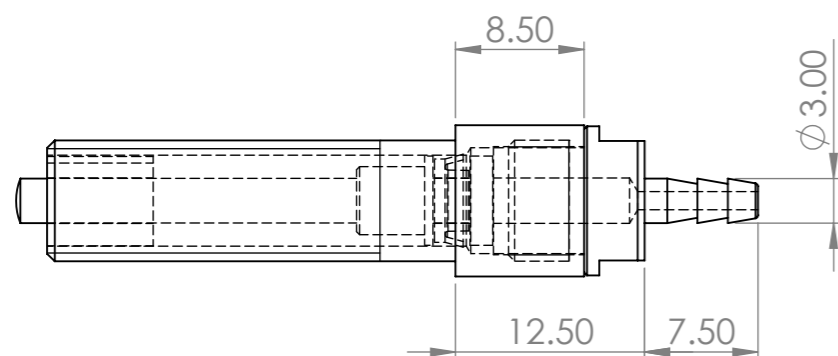
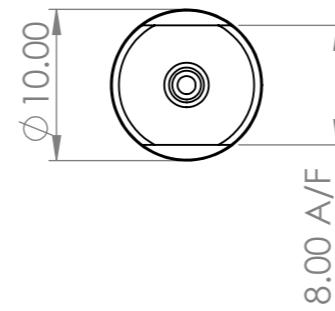


TIPS
 008305-005 STANDARD
 VARIOUS TIPS AVAILABLE
 FOR DIFFERENT APPLICATIONS

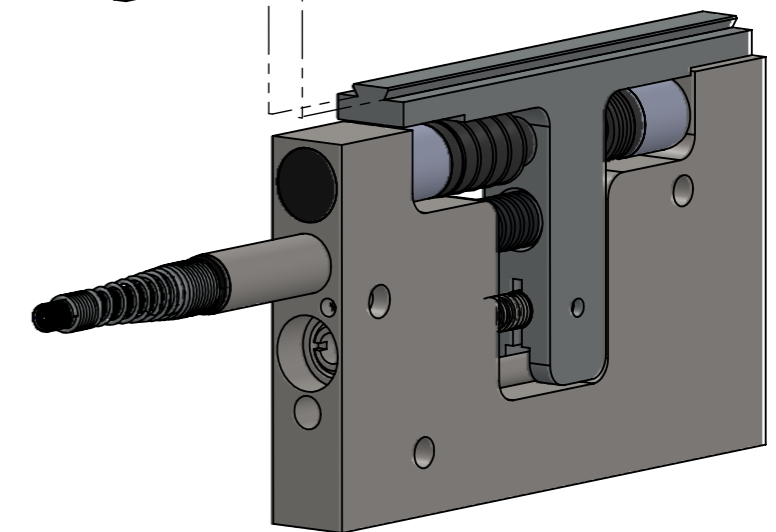
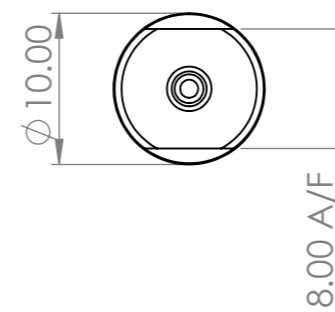
TOOL HOLDERS
 208453/30
 208453/40 RECOMMENDED
 208453/50




805493-SX CYLINDER M8x0.75-6g WITH SPRING RETURN



805490-SX CYLINDER M8x0.75-6g



BLOCK GAUGE ACCESSORIES

 STEYNING WAY • BOGNOR REGIS • SUSSEX • ENGLAND • PO22 9ST	DRAWING NUMBER	TITLE	E.D.C.R.	22692
	540002-081	BLOCK GAUGE BG/2.5 & DK/5	ISSUE	6
SOLARTRON PURSUES A POLICY OF CONTINUOUS DEVELOPMENT. SPECIFICATIONS IN THIS DOCUMENT MAY THEREFORE BE CHANGED WITHOUT NOTICE. DIMENSIONS ARE NOMINAL AND SPECIFIED IN MILLIMETRES				